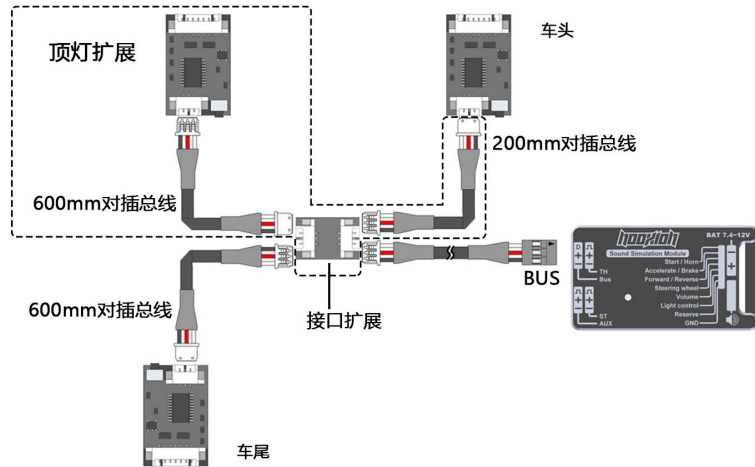
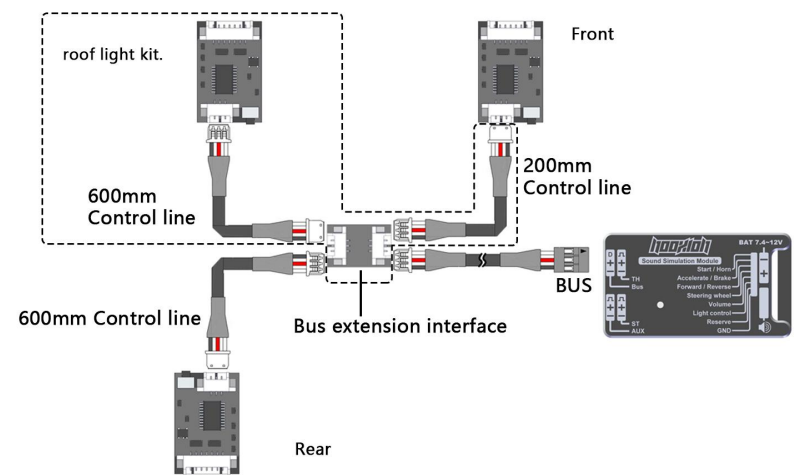


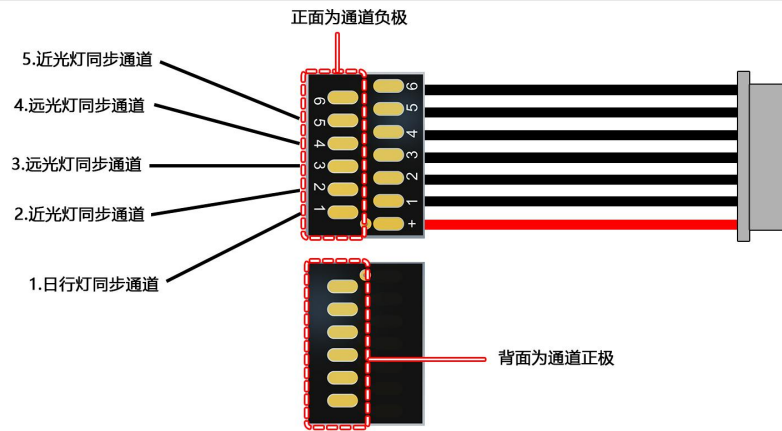
控制线连接



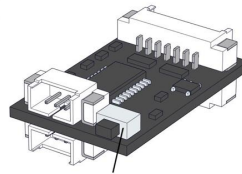
Control line connection



端口焊接



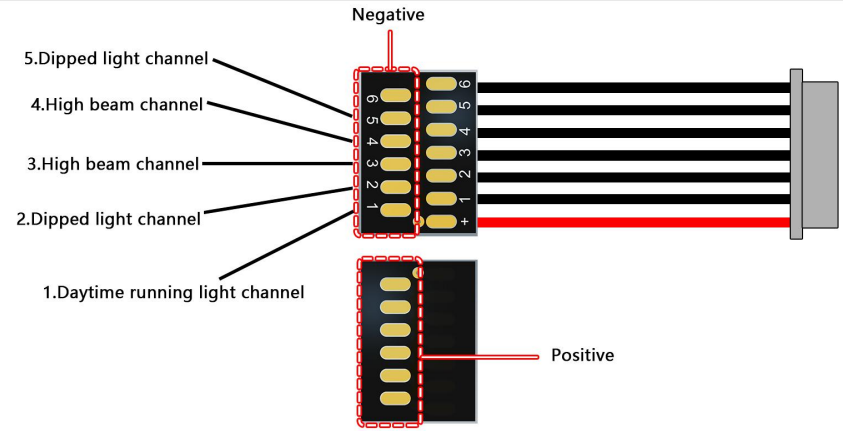
• 灯组中灯光分电板有6路输出，DIY改造时，请确保单路灯珠规格一致，否则灯珠会烧毁。单路多颗灯珠需要并联使用，无需单独增加电阻，但灯珠数量过多可能会造成发光亮度降低



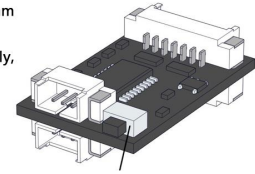
请使用头灯模式!

模式切换时，头灯模式灯光闪一下，尾灯模式灯光闪两下，且全系统通电时也会以相同闪烁方式自检。

Welding port



• The light distribution board in the lamp group has 6 outputs. When DIY transformation, please make sure that the specifications of the single-channel lamp beads are the same otherwise the lamp beads will be burned. A single channel with multiple lamp beads needs to be used in parallel, and there is no need to increase the resistance separately, but the excessive number of lamp beads may reduce the luminous brightness.



Please use head light mode

When the mode is switched, the headlight mode light flashes once, the taillight mode light flashes twice, and the whole system will also self-check in the same flashing way when it is powered on.